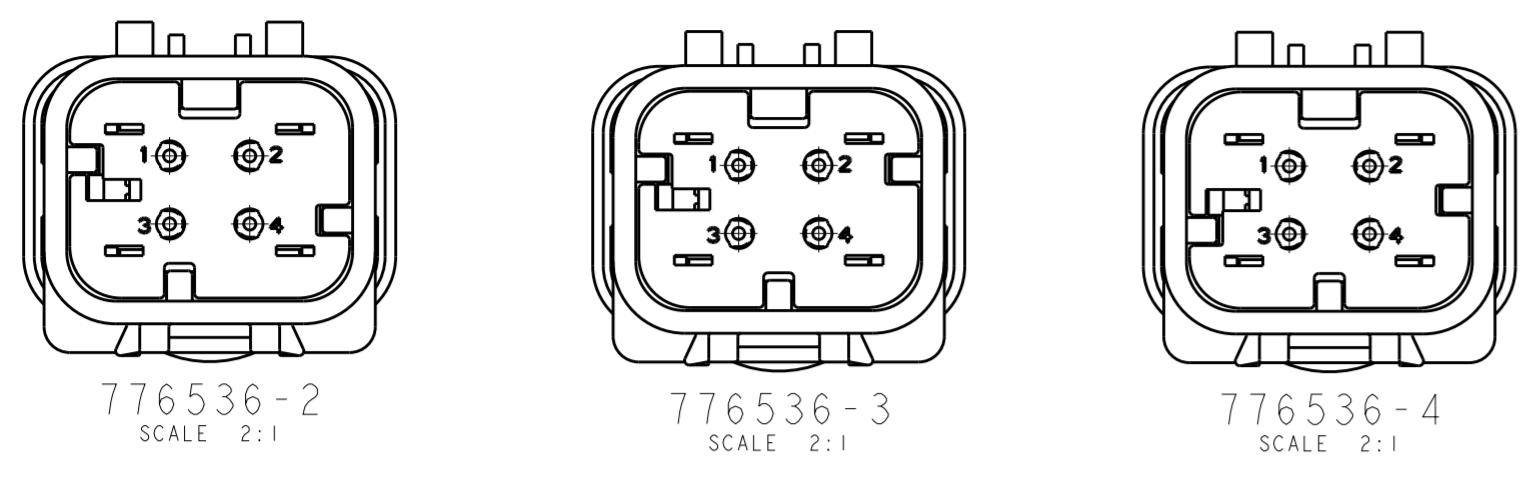
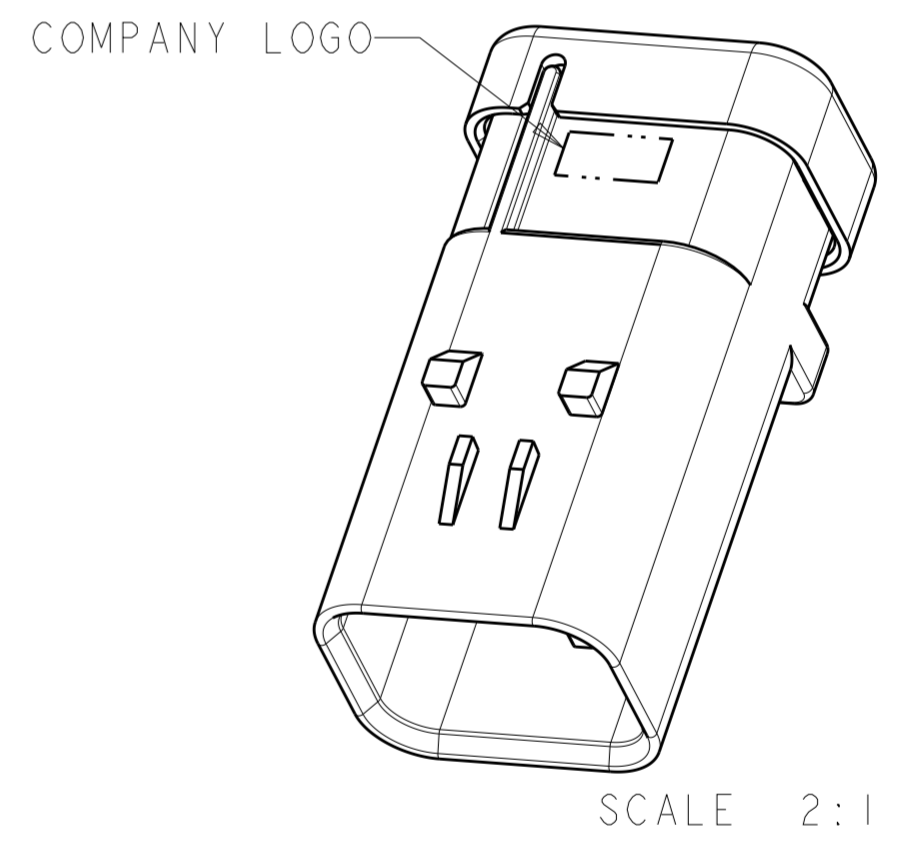
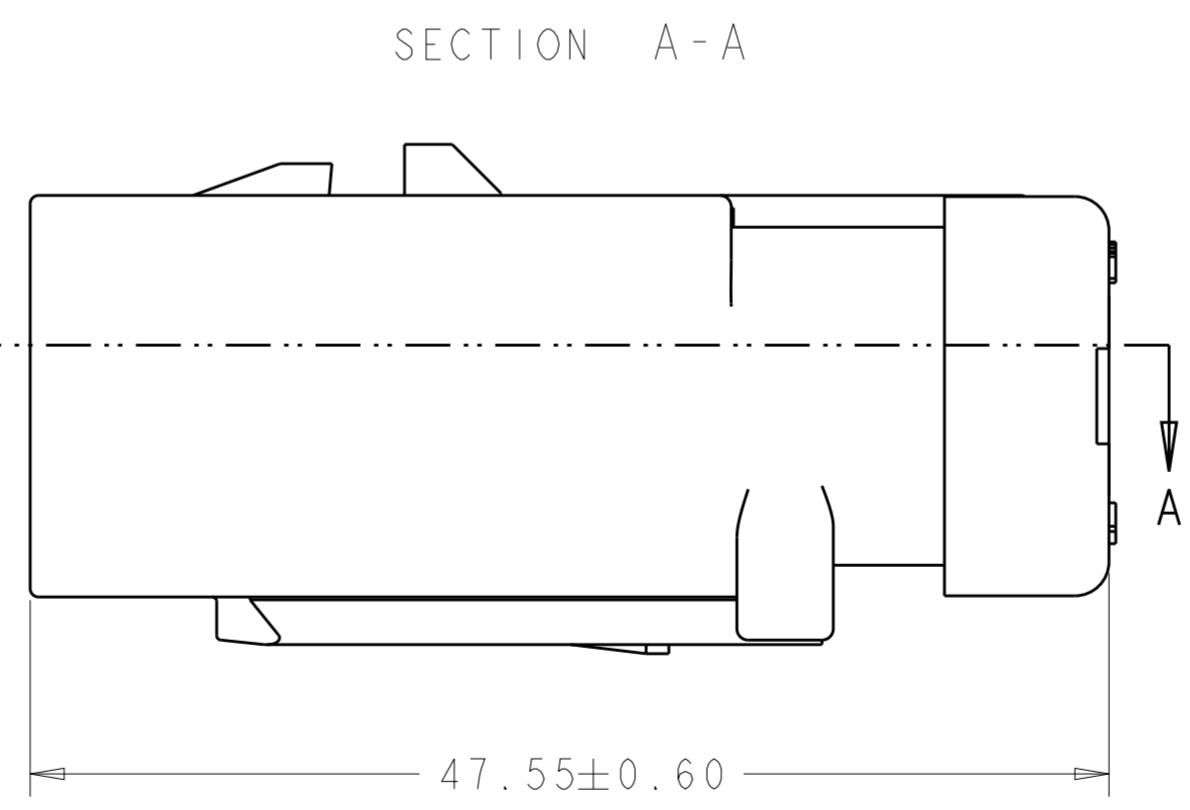
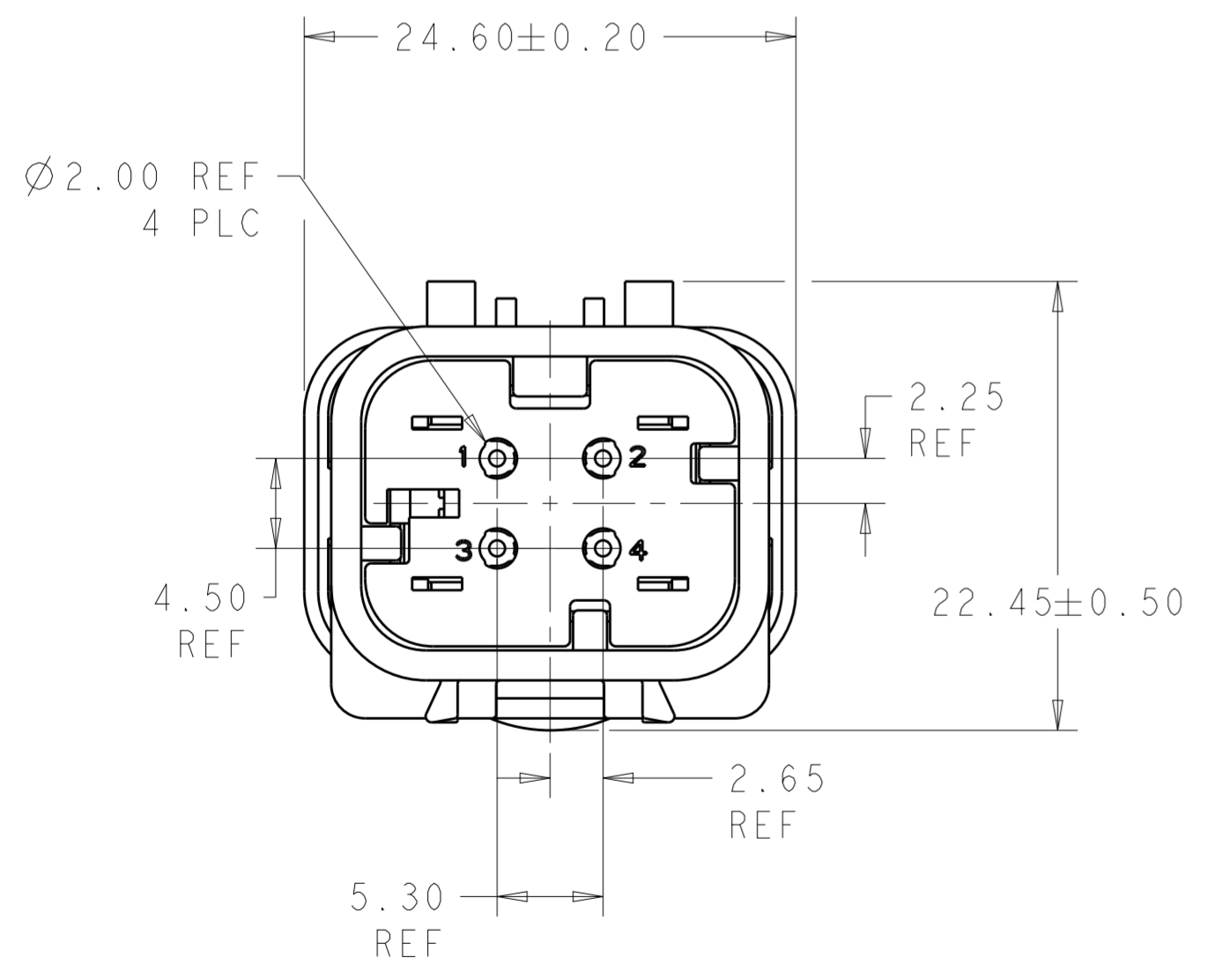
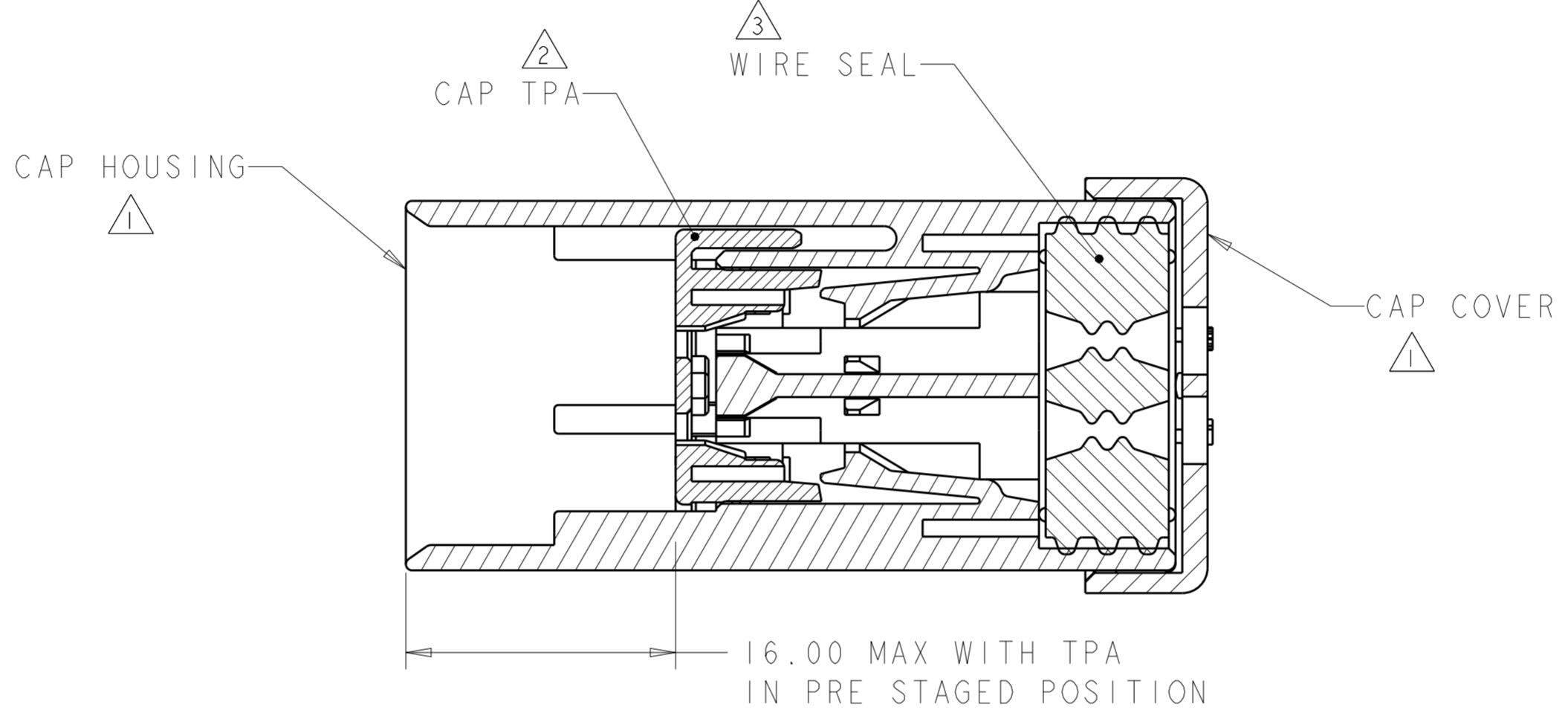


THIS DRAWING IS UNPUBLISHED
 RELEASED FOR PUBLICATION
 COPYRIGHT 20 BY - ALL RIGHTS RESERVED.

REVISIONS					
P	LTR	DESCRIPTION	DATE	DWN	APVD
	C	REVISED PER ECO-13-019168	05DEC2013	DR	RB



- ① MATERIAL: 15% GLASS FILLED THERMOPLASTIC
COLOR: BLACK
 - ② MATERIAL: 15% GLASS FILLED THERMOPLASTIC
COLOR: (SEE TABLE)
 - ③ MATERIAL: SILICONE
COLOR: RUST
4. RECOMMENDED WIRE DIAMETER RANGE IS 1.30 TO 2.54mm



GREEN	776536-4
YELLOW	776536-3
GRAY	776536-2
RED	776536-1
TPA COLOR	PART NUMBER

776536-1 SHOWN

THIS DRAWING IS A CONTROLLED DOCUMENT.

DIMENSIONS: mm	TOLERANCES UNLESS OTHERWISE SPECIFIED: 0 PLC ± 1 PLC ± 2 PLC ± 3 PLC ± 4 PLC ± ANGLES ± FINISH	DWN W. HOELSCHER 04SEP03	NAME STE TE Connectivity
		CHK J. PATTERSON 04SEP03	
		APVD D. KLEIN 04SEP03	APPLICATION SPEC 114-13065
MATERIAL		WEIGHT 14	SIZE A200779
		Customer Drawing	DRAWING NO C-776536

RESTRICTED TO: -
SCALE: 3:1 SHEET: 1 OF 1 REV: C